

Kol. Opis

1 JP 4-47 PT-H BBVP



Paznja! Slika proizvoda se može razlikovati od stvarnog proizvoda

Proizvodni broj: [99463875](#)

Ime proizvoda: Grundfos JP 4-47 PT-H consist of a Grundfos JP pump, a pressure switch, a pressure gauge and a Grundfos GT-H 20-litre horizontal diaphragm pressure tank. The booster set features a dual outlet selection for easy installation and a pressure tank to reduce water hammer in the pipework.

The JP 4-47 PT-H provides the comfort of constant water pressure with automatic start and stop.

This is controlled by the pressure switch and pressure tank combined ensuring optimal start/stop of the booster set according to demand.

The pressure tank limits the number of start/stop routines, as water stored in the tank can be used without starting the pump in cases of low water consumption or leakage loss.

The cut-in pressure is set to 2.2 bar.

The design is robust and built upon corrosion-free materials to ensure a long lifetime.

This booster set ensures optimum self-priming properties, featuring a suction-lift up to 8 meters.

The self-priming pump also ensures a stable operation as it is able to lift liquid from below the inlet level and can handle a mix of air and liquid until the pump reaches a fully-primed pumping condition.

The JP pump has built-in thermal protection, which immediately stops the pump if it overheats. The motor is air cooled and equipped with oversized, sealed, greased-for-life ball bearings to ensure silent operation and minimum service.

Tečnost:

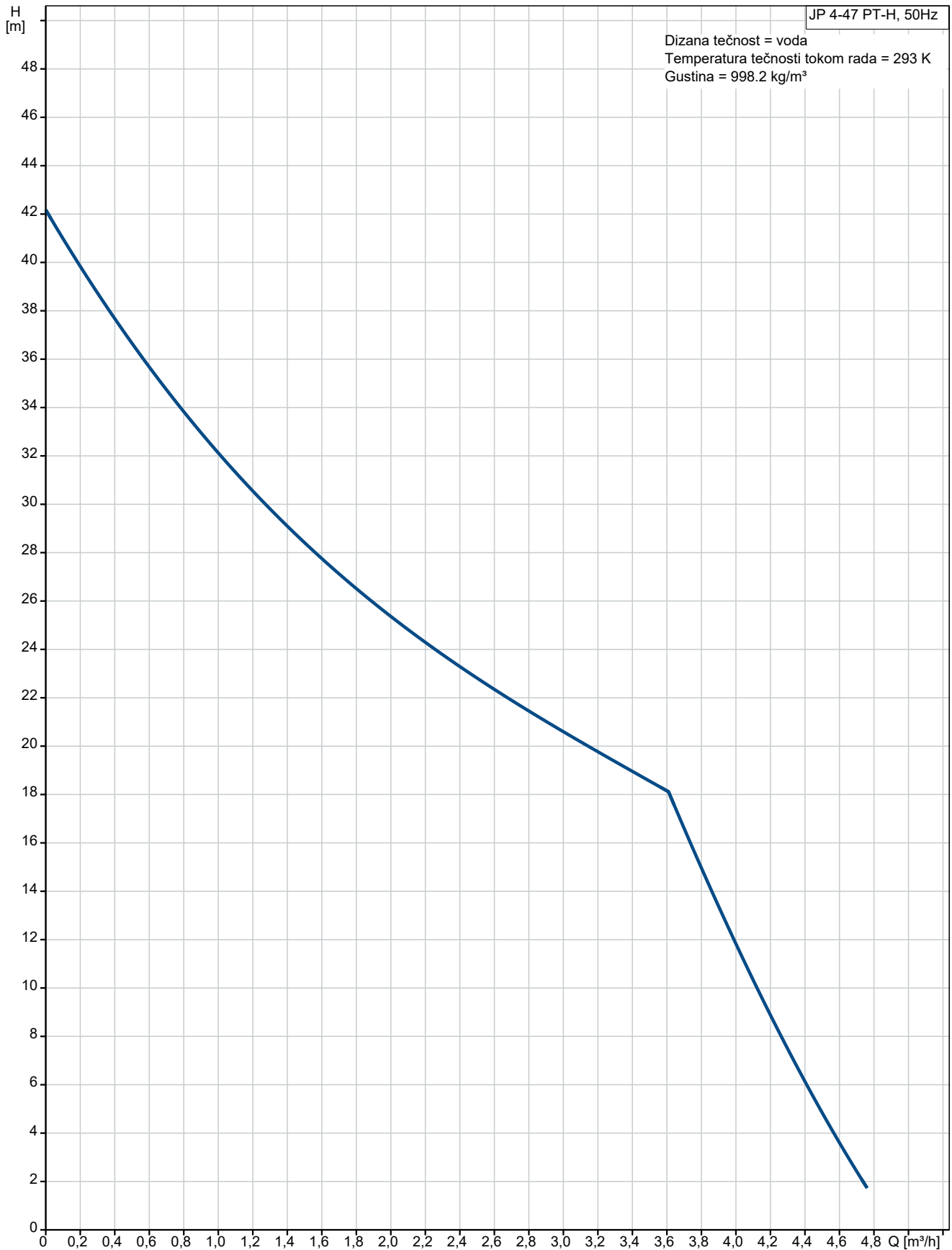
Dizana tečnost: voda
Raspon temperature tečnosti: 273 .. 313 K
Selected liquid temperature: 293 K
Gustina: 998.2 kg/m³

Tehnički:

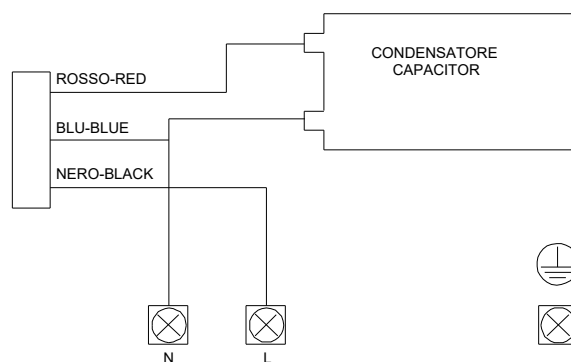
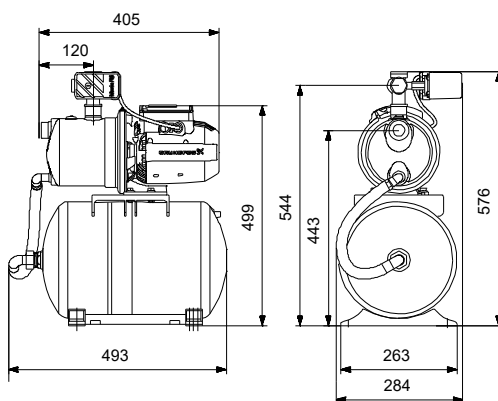
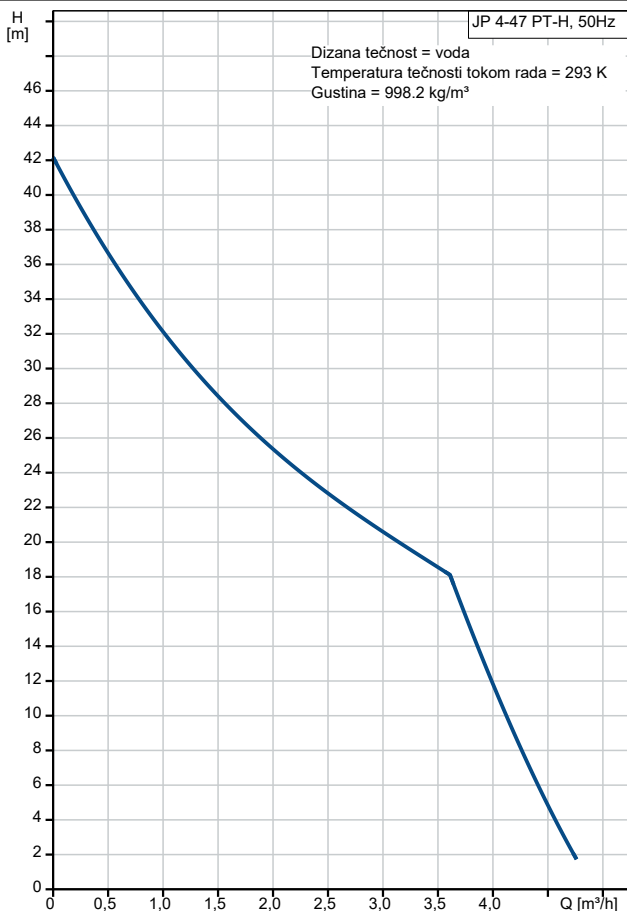
Nazivni protok: 4 m³/h
Rated head: 41 m
Kod za zaptivač vratila 1: tip 2: rotir. površ. 3: stacion. dosed 4: sekund. zaptivač: BBVP
Approvals: CE,EAC
Tolerancija krive: ISO9906:2012 3B
Adjustable start pressure: D
Start pressure: 1.0 - 5.0 bar

Kol.	Opis
	Rated driver speed: 2800 rpm
	Materijali:
	Kućište pumpe: Nerđajući čelik
	Pump housing: EN 1.4301
	Kućište pumpe: AISI 304
	Rotor: Kompozitno
	Ugradnja:
	Minimalna temperatura okoline: 273 K
	Maximum ambient temperature: 313 K
	Maksimalni radni pritisak: PN 6 bar
	Ulaz pumpe: G 1
	Izlaz pumpe: G 1
	Elektro podaci:
	Potrebna snaga - P1: 850 W
	Frekvencija struje: 50 Hz
	Potrebni napon: 1 x 230 V
	Rated current: 3.8 A
	Struja pokretanja: 11.3 A
	Veličina kondenzatora - radni: 13 µF/450 V
	Klasa zaštite (IEC 34-5): IP44
	Klasa izolacije (IEC 85): F
	Dužina kabla: 1.5 m
	Tip kablovskog utikača: SCHUKO
	Rezervoar:
	Zapremina pritisknog rezervoara: 20 l
	Ostali:
	Neto masa: 14 kg
	Bruto masa: 17 kg
	Finnish LVI No.: 4732540
	Norwegian NRF no.: 9040044
	Country of origin: HU
	Custom tariff no.: 84137051

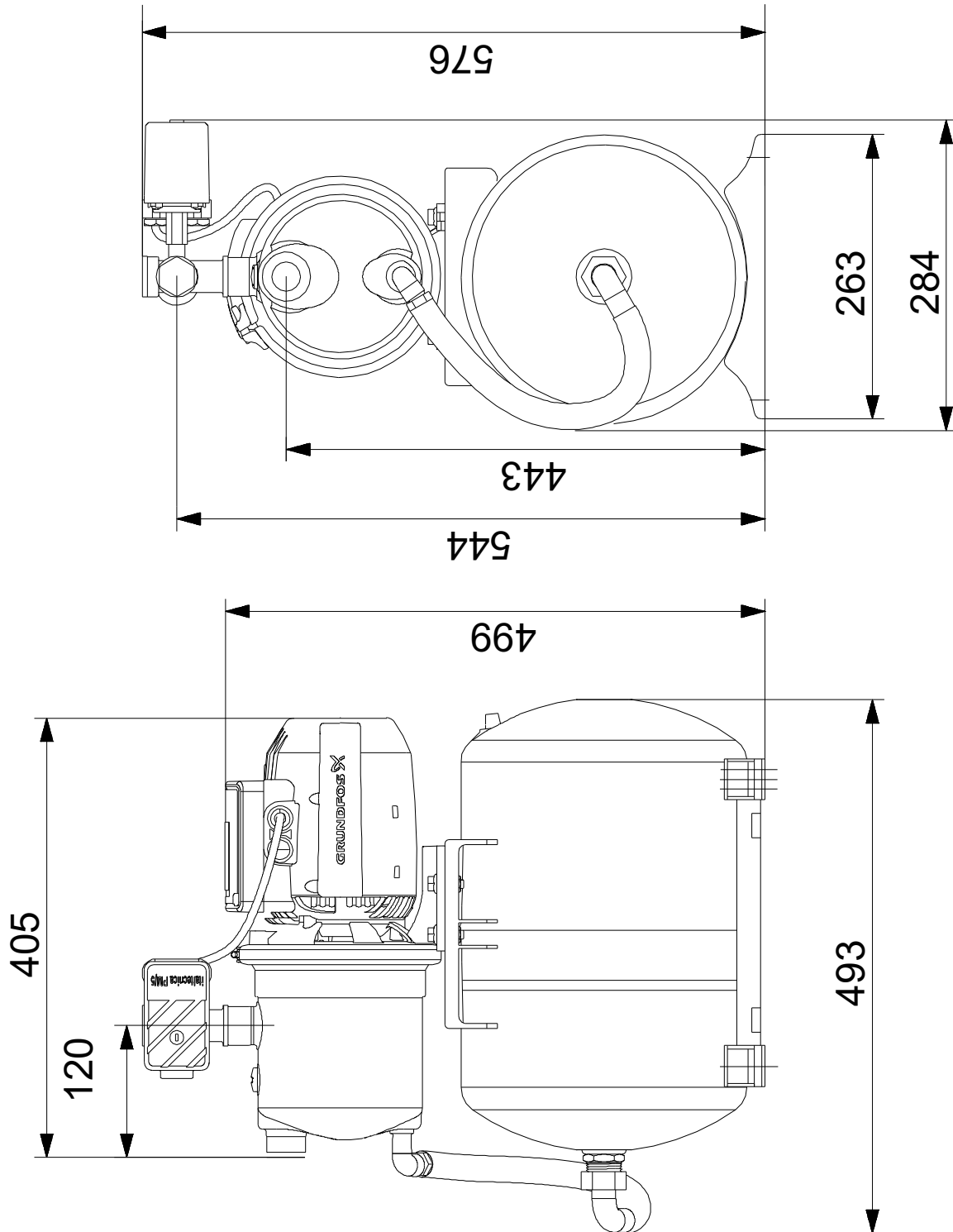
99463875 JP 4-47 PT-H BBVP 50 Hz



Opis	Vrednost
Opšte informacije:	
Ime proizvoda::	JP 4-47 PT-H BBVP
Šifra proizvoda:	99463875
EAN broj::	5713829542457
Cena:	€ 301.93
Tehnički:	
Nazivni protok:	4 m ³ /h
Rated head:	41 m
Kod za zaptivač vratila 1: tip 2: rotir. površ. 3: stacion. dosed 4: sekund. zaptivač:	BBVP
Approvals:	CE,EAC
Tolerancija krive:	ISO9906:2012 3B
Adjustable start pressure:	D
Start pressure:	1.0 - 5.0 bar
Rated driver speed:	2800 rpm
Materijali:	
Kućiste pumpe:	Nerđajuči čelik
Pump housing:	EN 1.4301
Kućiste pumpe:	AISI 304
Rotor:	Kompozitno
Ugradnja:	
Minimalna temperatura okoline:	273 K
Maximum ambient temperature:	313 K
Maksimalni radni pritisak:	PN 6 bar
Ulaz pumpe:	G 1
Izlaz pumpe:	G 1
Tečnost:	
Dizana tečnost:	voda
Raspon temperature tečnosti:	273 .. 313 K
Selected liquid temperature:	293 K
Gustina:	998.2 kg/m ³
Elektro podaci:	
Potrebna snaga - P1:	850 W
Frekvencija struje:	50 Hz
Potrebni napon:	1 x 230 V
Rated current:	3.8 A
Struja pokretanja:	11.3 A
Veličina kondenzatora - radni:	13 µF/450 V
Klasa zaštite (IEC 34-5):	IP44
Klasa izolacije (IEC 85):	F
Dužina kabla:	1.5 m
Tip kablovskog utikača:	SCHUKO
Rezervoar:	
Zapremina pritisnog rezervoara:	20 l
Ostali:	
Neto masa:	14 kg
Bruto masa:	17 kg
Finnish LVI No.:	4732540
Norwegian NRF no.:	9040044
Country of origin:	HU
Custom tariff no.:	84137051

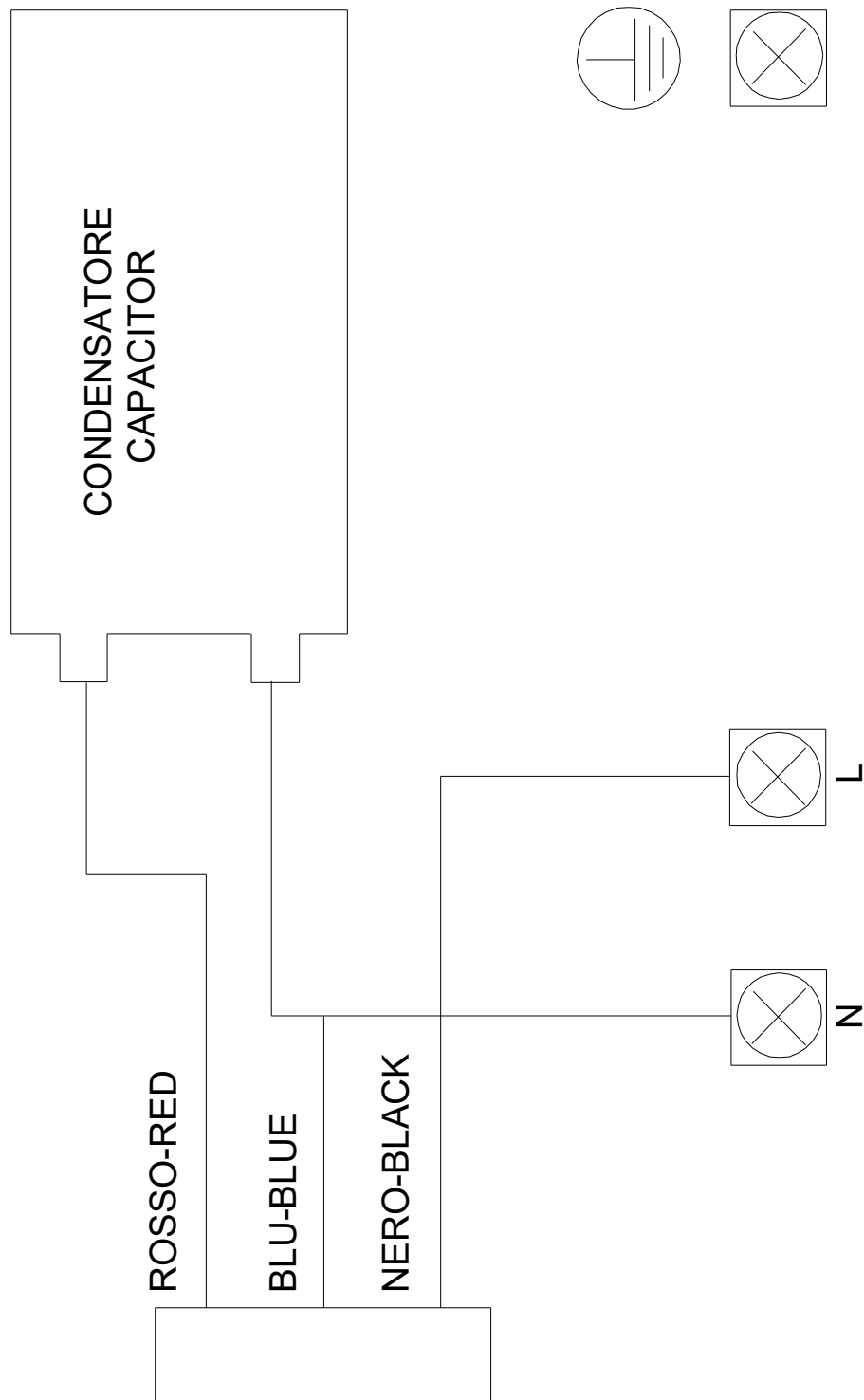


99463875 JP 4-47 PT-H BBVP 50 Hz



Napomena! Sve jedinice su u [mm]ukoliko drugačije nije navedeno.
Upozorenje: Ovaj pojednostavljeni dimenzioni crtež ne pokazuje sve detalje.

99463875 JP 4-47 PT-H BBVP 50 Hz



Pažnja! Sve jedinice su u [mm] ukoliko nije rečeno drugačije.